

75  
Model

# FP-2-30

LCD  
SIZE  
10" - 30"  
25-76cm

25kg  
55lbs  
Max

Exploded view diagram of the FP-2-30 mount. Components are labeled A through G. Component A is the main bracket, B is the mounting plate, C is the LCD holder, D is an Allen key, E is a screw, F is a screw, and G is a screw. Quantities are listed below each component: A (x2), B (x3), C (x1), D (x1), E (x3), F (x3), G (x4).

**1**

**2** Concrete, Solid bricks or Hollow concrete block walls

Wood stud wall

**2.1**

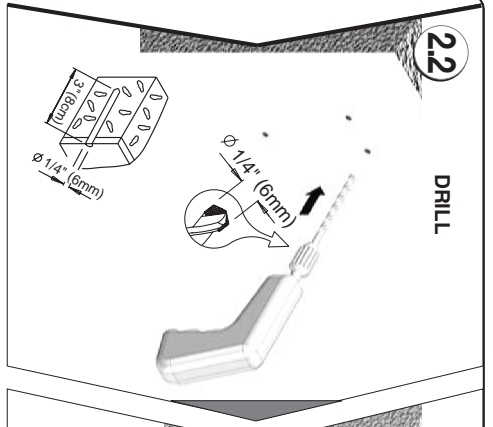
**2A** MARK

**DRILL**

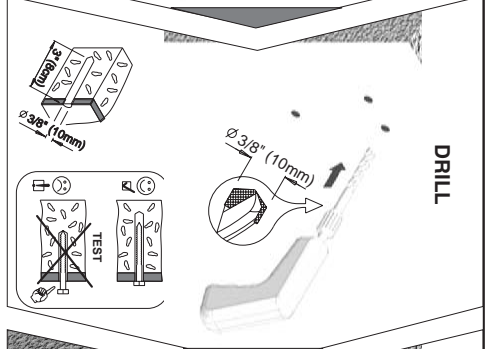
**2B**

2.2

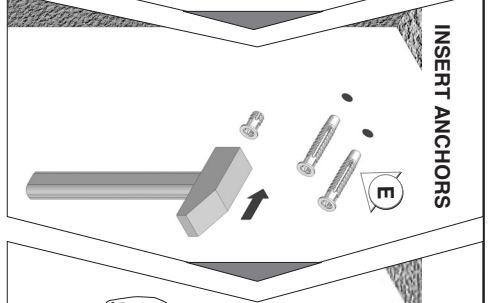
DRILL



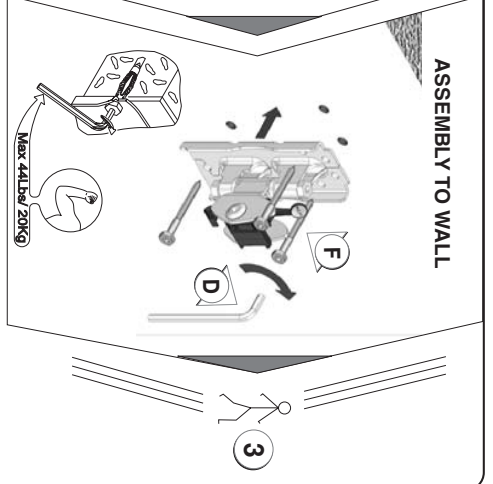
DRILL



INSERT ANCHORS

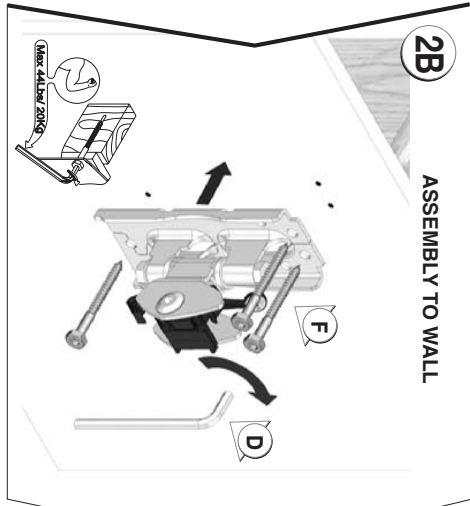


ASSEMBLY TO WALL



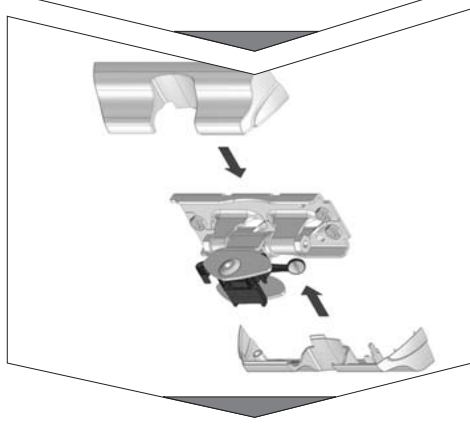
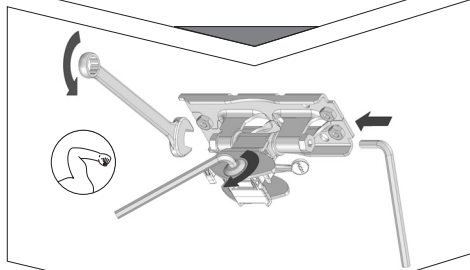
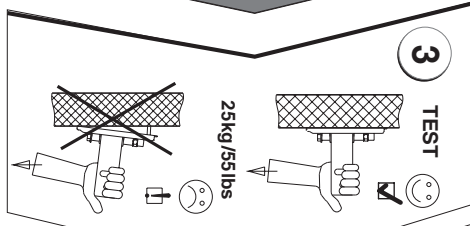
2B

ASSEMBLY TO WALL

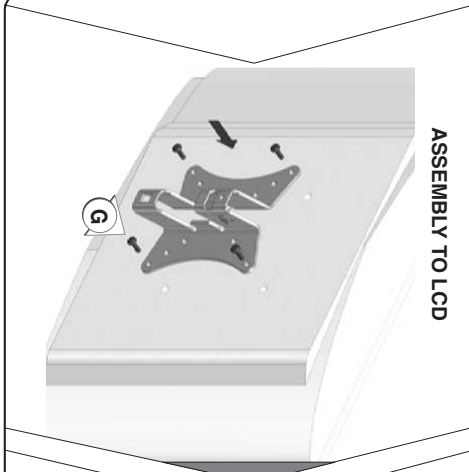


3

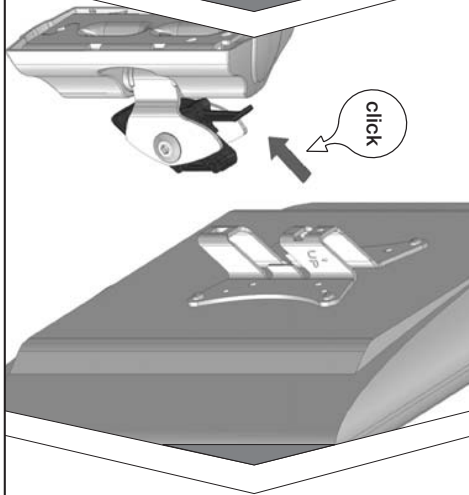
TEST



ASSEMBLY TO LCD



click



ANGLES ADJUSTMENT BY HAND

